

SPECIALISTS IN THE DESIGN & MANUFACTURE OF
EXHIBITION UNITS & SPECIAL PURPOSE BODIES



H07 XM50 - Merchandising Unit

5.0 metre Body Length ~ 2.2 metre Body Width ~ 2.2 metre Body Height

Low chassis for easy over-counter access, with wheels in boxes

Barn style doors, with graphics display area on each, opening over wheel box to expose the full-width 4 metre display & serve-over counter.

Personnel door to rear.

Suspended grid type ceiling with modular lamps, down-lighters (over counter) and spot lights (for rear wall display).

All display walls lined in Prelude Velcro-compatible exhibition fabric.

Rear display wall shelving. Front and rear Stock rooms.

Rear display wall cupboard.



Unit finished with full length body skirts, flag poles, awning and headboard.

Integrated Flat-screen Monitor with DVD/VCR and sound system for promotional presentations, available to hire separately.

Marco Trailers Railway Road Newhaven East Sussex BN9 0AP

Tel: 01273 513718

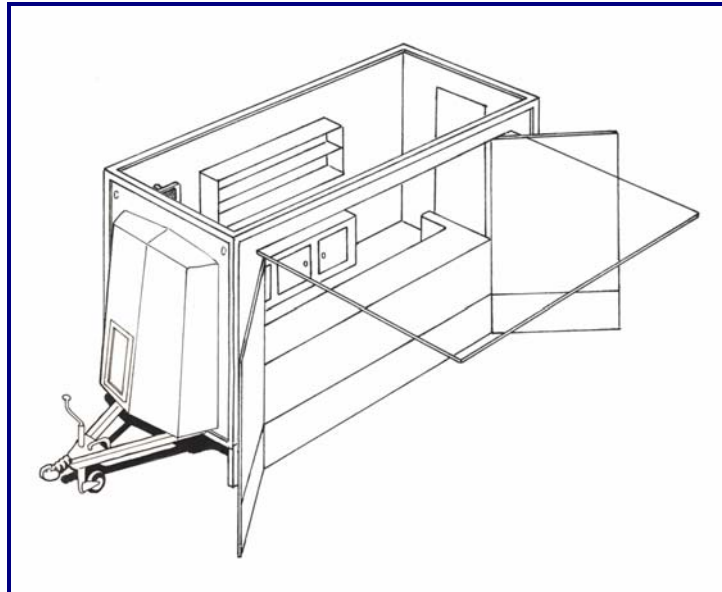
Fax: 01273 512132

info@marcotrailers.co.uk

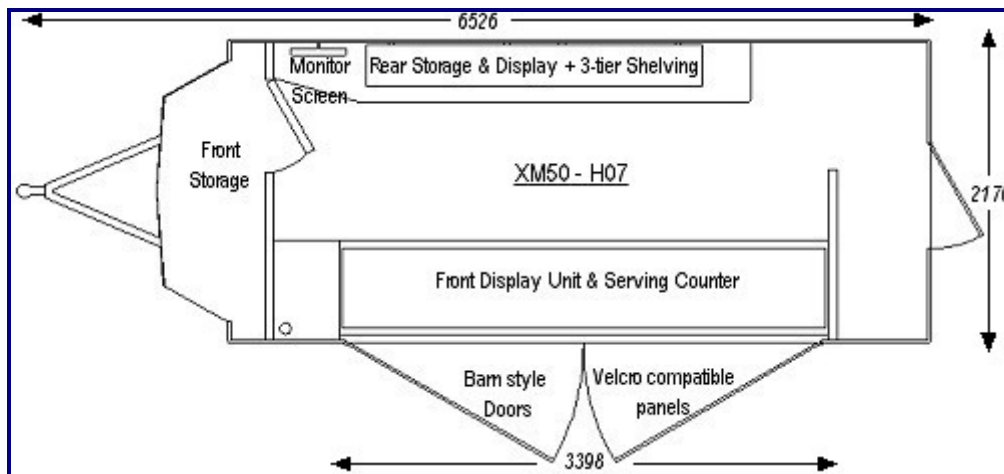
www.marcotrailers.co.uk

SPECIALISTS IN THE DESIGN & MANUFACTURE OF
EXHIBITION UNITS & SPECIAL PURPOSE BODIES

Cut-away Drawing



Site Measurements



Overall Space Required

Length 7 metres Width 4.5 metres (minimum)

Graphics Panels

(Width x Height)

Door Panels: 1590 x 1470 mm
Headboard: 2930 x 355 mm (2930 x 280 mm *graphics area*)
Counter front: 3470 x 425 mm

Towing and Loading

Max Gross Weight 1300kg